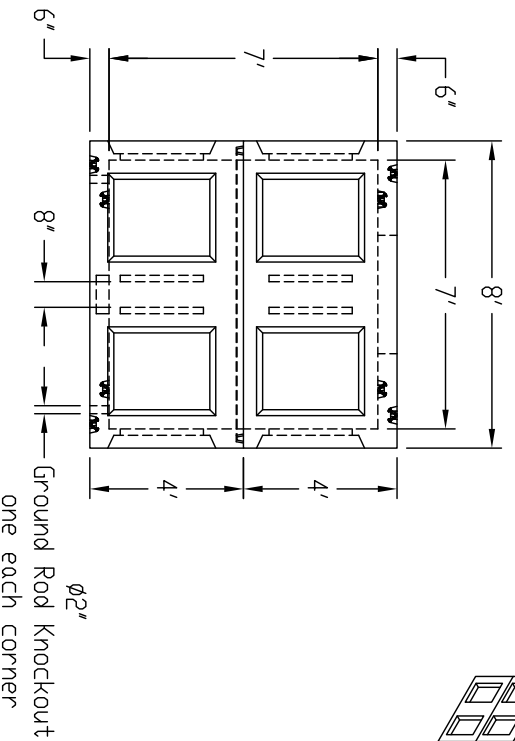
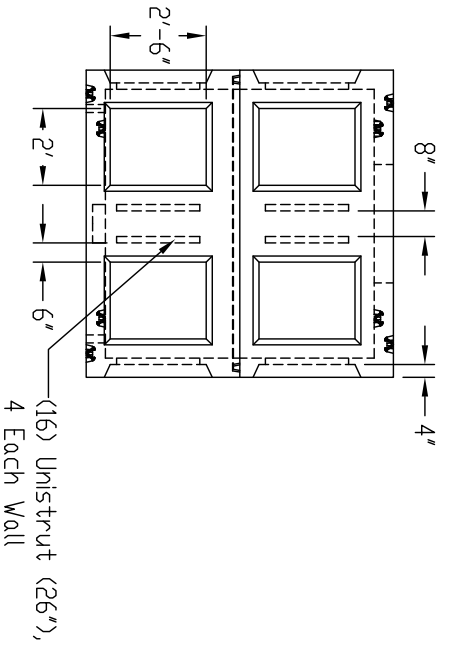


(16) 6CA14 A Anchor; one (1) each corner, Internal/External, Top and Base Section

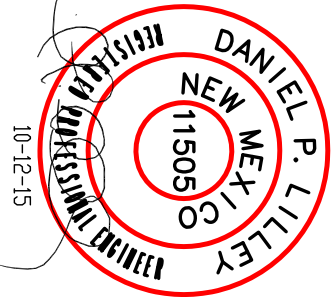
Top View



End View

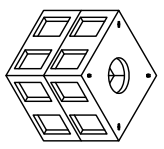


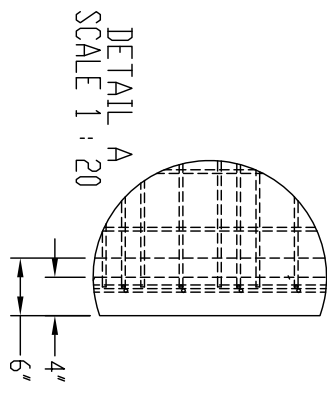
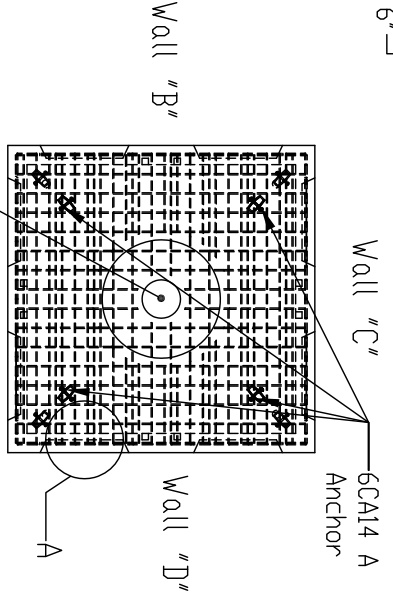
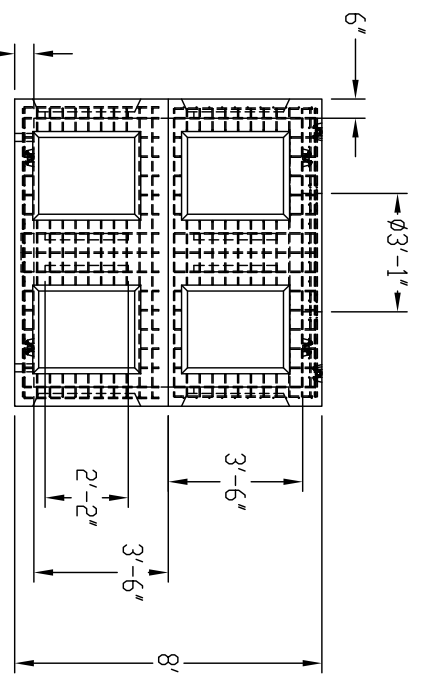
Section View



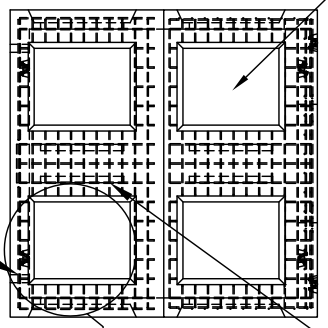
- Structural Notes:
- 4,500 PSI Concrete
  - Reinforcement: W#F4x4, D11xD11, ASTM A-615 Grade 60
  - HS20 Loading
- General Notes:
- Joints shall be sealed with Consual CS-101

PROPRIETARY AND CONFIDENTIAL THE INFORMATION CONTAINED IN THIS DRAWING IS THE SOLE PROPERTY OF LECO INDUSTRIES INC. AS A WHOLE. REPRODUCTION OR TRANSMISSION WITHOUT THE WRITTEN PERMISSION OF Leco Industries Inc. IS PROHIBITED.		NAME KLM	DATE 10-06-15	TITLE: <b>777 Electrical Assembly</b> Leco Industries Inc. Las Cruces, NM 88012 575-382-0501 lecoprecast.com
DRAWN KLM	CHECKED 	ENG APPR. DPL	DATE 10-12-15	
MFG APPR. KLM	QA 	DATE 10-06-15	COMMENTS:	
MATERIAL 4,500 PSI concrete	FINISH Smooth, Form Finish	DO NOT SCALE DRAWING	SIZE   DWG. NO.   REV A   0826-100615-0001   1	





DETAIL A  
SCALE 1 : 20



1" PVC Sleeve for Ground Rod K.D., All Corners

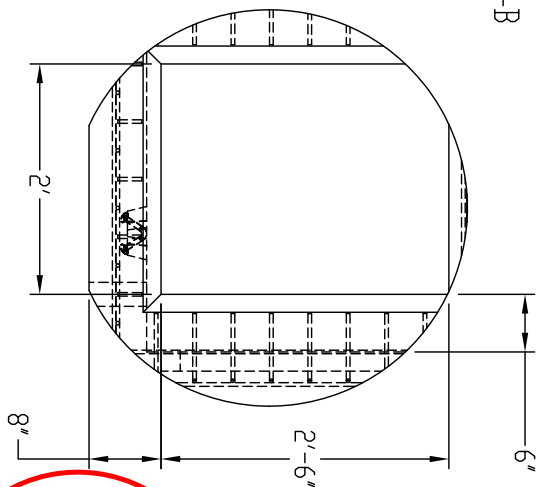
General Notes:

1. 4,500 PSI Concrete
2. Reinforcement: W/WF4x4, D11xD11, ASTM A-615 Grade 60
3. HS20 Loading
4. Wall dimensions taper from 5' at top to 7' at bottom; dimension shown is midpoint
5. Joints shall be sealed with Conseal CS-101

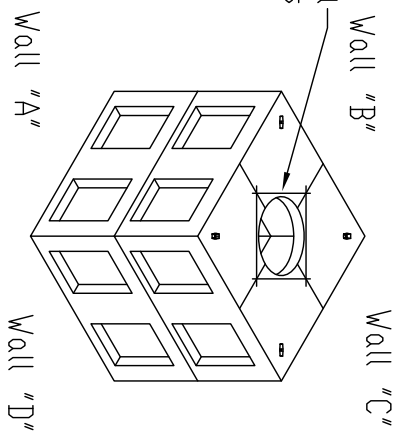
Add one (1) #4 rebar full length above and below each K.D. row, w/in 3" of K.D.

Uni-Strut Centered all Bottom Walls.

Four (4) #4 rebar diagonal across reinf grid, 2 mats



DETAIL B  
SCALE 1 : 20



PROPRIETARY AND CONFIDENTIAL

THE INFORMATION CONTAINED IN THIS DRAWING IS THE SOLE PROPERTY OF Leco Industries Inc. ANY REPRODUCTION IN PART OR AS A WHOLE WITHOUT THE WRITTEN PERMISSION OF Leco Industries Inc. IS PROHIBITED.

UNLESS OTHERWISE SPECIFIED		NAME	DATE	TITLE: <b>777 EA Vault</b> Leco Industries Inc. Las Cruces, NM 88012 575-382-0501 lecoprecast.com	
DIMENSIONS ARE IN INCHES		DRAWN	KLM		10-06-15
TOLERANCES:		CHECKED			
FRACTIONAL ±		ENG APPR.	DPL		10-12-15
ANGULAR MATCH ± BEND ±		MFG APPR.	KLM		10-06-15
TWO PLACE DECIMAL ±		QA			
THREE PLACE DECIMAL ±		COMMENTS:			
INTERPRET GEOMETRIC TOLERANCING PER:					
MATERIAL					
4,500 PSI concrete					
FINISH					
Smooth, Form Finish					
DO NOT SCALE DRAWING					
APPLICATION					
USED DN					
NEXT ASSY					

