

LECO Industries 2603

Email sales@lecoprecast.com for a quote today

7' PICNIC TABLE

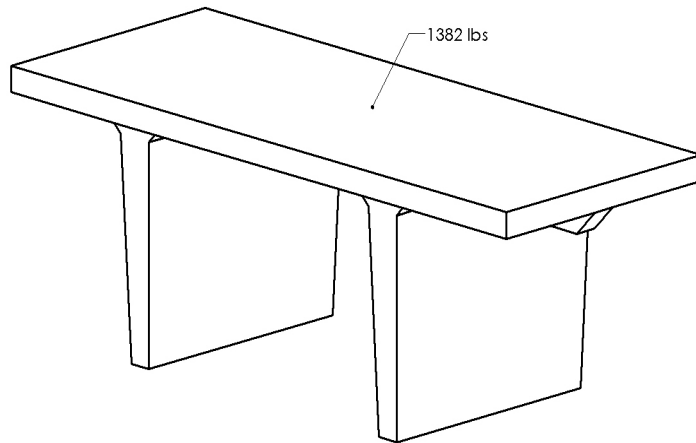
MATERIAL: Type V 3500 psi concrete

FINISH: Form

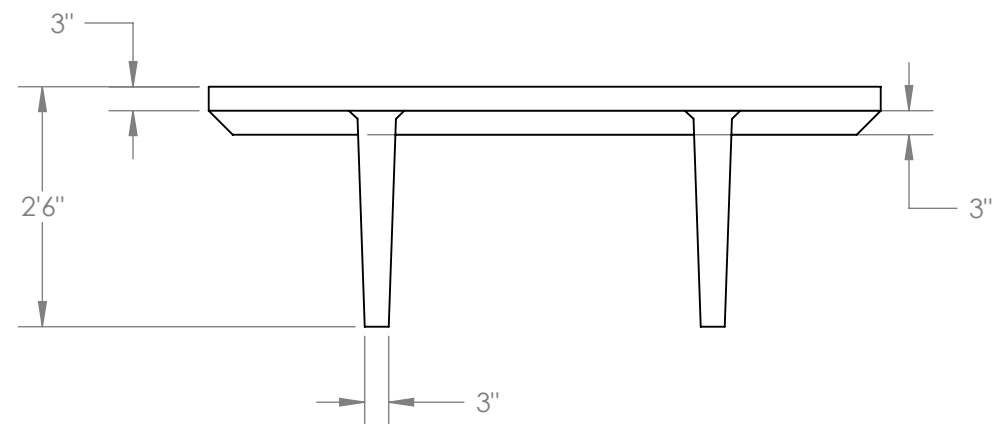
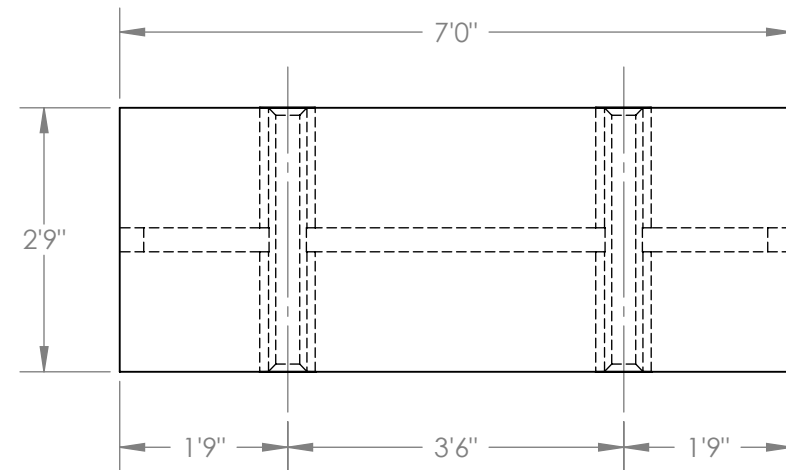
WEIGHT: 1375 lbs

CERTIFICATION: N/A

CURE TIME: 28 days



[Click isometric view to enable interactive 3D model](#)



LECO Industries, Inc.

575-382-0501

PO Box 13008

Las Cruces, NM 88013

www.lecoprecast.com

PROPRIETARY AND CONFIDENTIAL

THE INFORMATION CONTAINED IN THIS DRAWING IS THE SOLE PROPERTY OF LECO INDUSTRIES. ANY REPRODUCTION IN PART OR AS A WHOLE WITHOUT THE WRITTEN PERMISSION OF LECO INDUSTRIES IS PROHIBITED.