

LECO Industries 4409

Email sales@lecoprecast.com for a quote today

24" SLOPE END TREATMENT

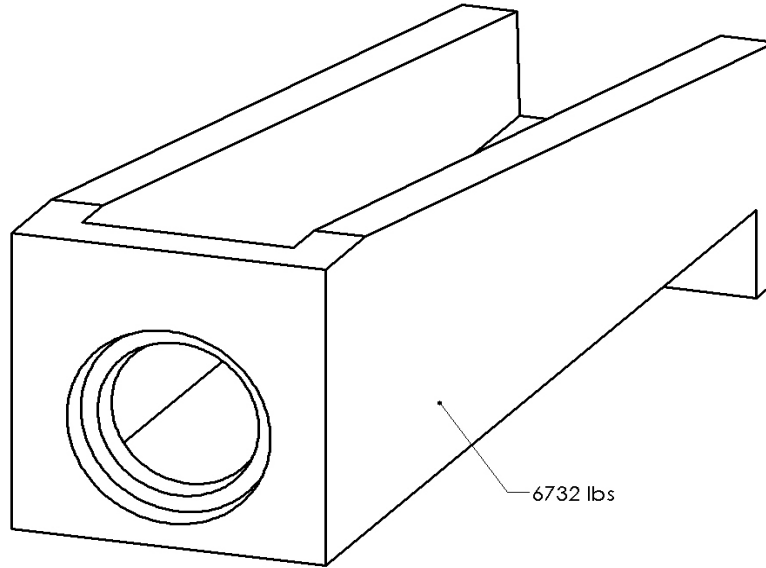
MATERIAL: Type V 3500 psi concrete

FINISH: Form

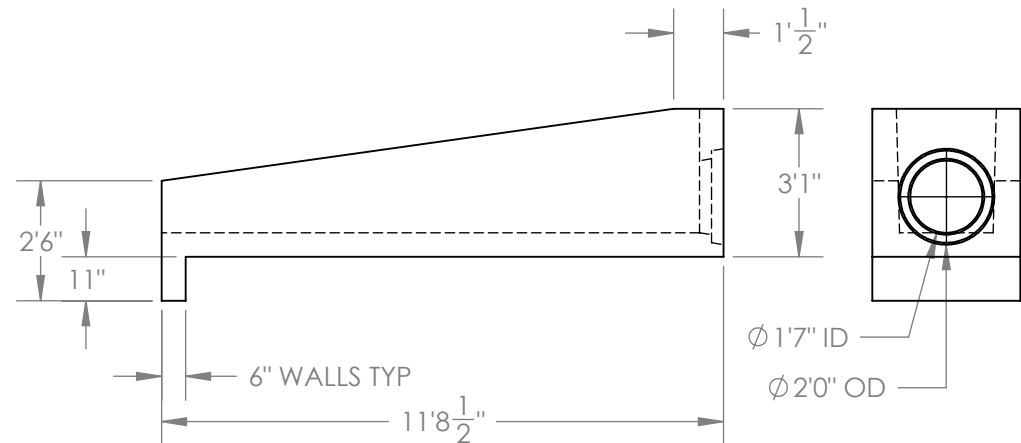
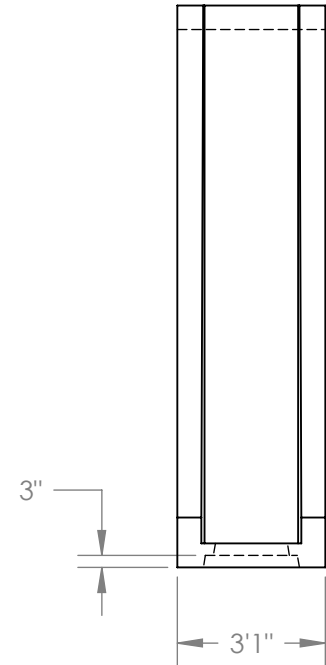
WEIGHT: 6732lb

CERTIFICATION: N/A

CURE TIME: 28 days



Click isometric view to enable interactive 3D model



LECO Industries, Inc.

575-382-0501

PO Box 13008

Las Cruces, NM 88013

www.lecoprecast.com

PROPRIETARY AND CONFIDENTIAL

THE INFORMATION CONTAINED IN THIS DRAWING IS THE SOLE PROPERTY OF LECO INDUSTRIES. ANY REPRODUCTION IN PART OR AS A WHOLE WITHOUT THE WRITTEN PERMISSION OF LECO INDUSTRIES IS PROHIBITED.